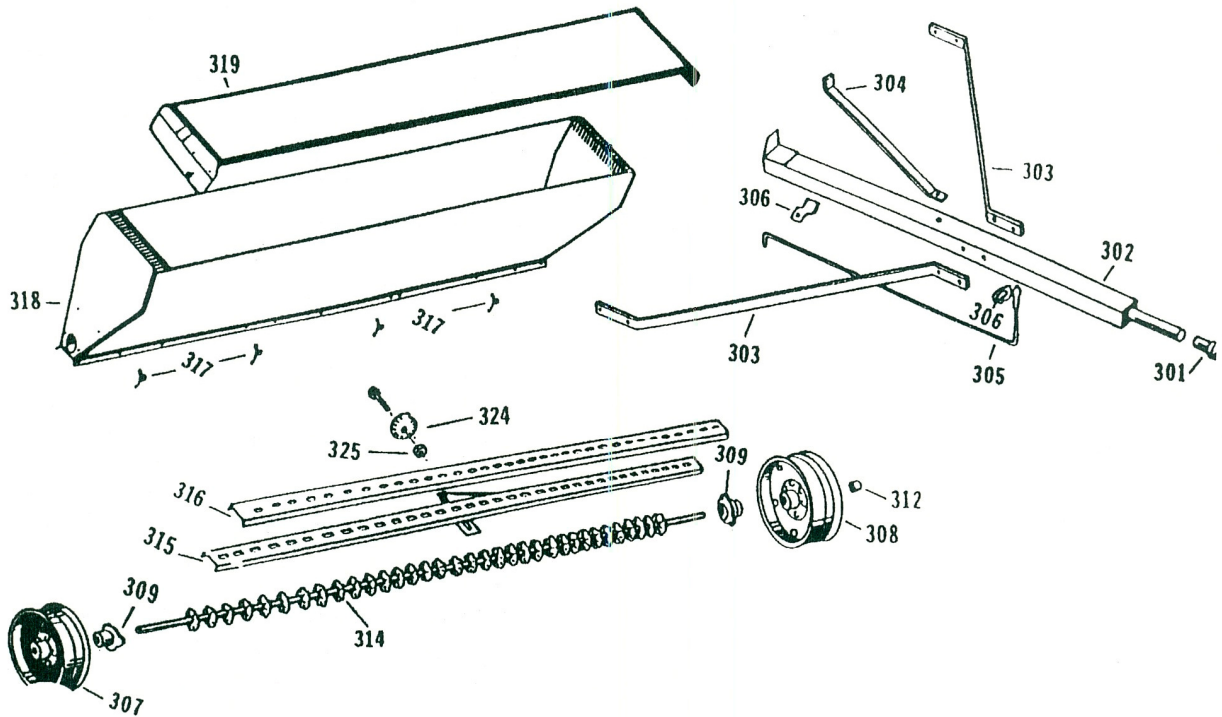


# GARBER COMPANY Seed Easy Spreader



## CALIBRATION FOR SPREADER ON REVERSE SIDE

| PART NO | DESCRIPTION           | NO. REQD | PART NO | DESCRIPTION             | NO. REQD |
|---------|-----------------------|----------|---------|-------------------------|----------|
| 301     | Clevis Hitch          | 1        | 312     | Collar                  | 1        |
| 302     | Tongue                | 1        | 314     | Agitator                | 1        |
| 303     | Side Brace            | 2        | 315     | Control Panel           | 1        |
| 304     | Top Brace             | 1        | 316     | Perforated Hopper Panel | 1        |
| 305     | On and Off Lever      | 1        | 317     | Control Panel Spring    | 8        |
| 306     | On and Off Lever Brkt | 2        | 318     | Hopper                  | 1        |
| 307     | Drive Wheel           | 1        | 319     | Hopper Lid              | 1        |
| 308     | Idle Wheel            | 1        | 324     | Metering Dial           | 1        |
| 309     | Bearing               | 2        | 325     | Jam Nut                 | 1        |

WHEN ORDERING PARTS, PLEASE SPECIFY MODEL NUMBER OF SPREADER  
 GARBER COMPANY, INC. OHIO TOLL-FREE NUMBER 1-800-613-4860